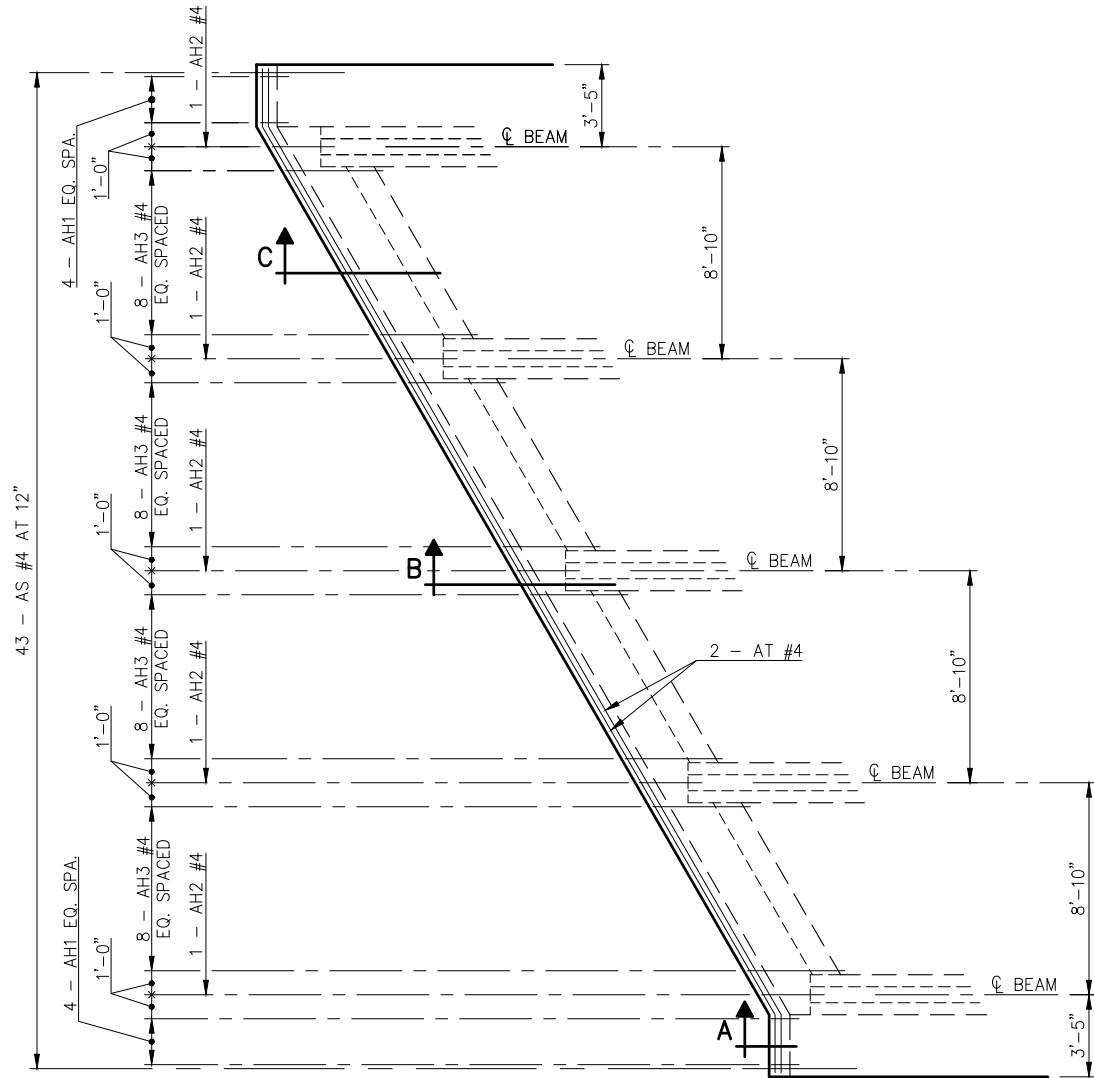
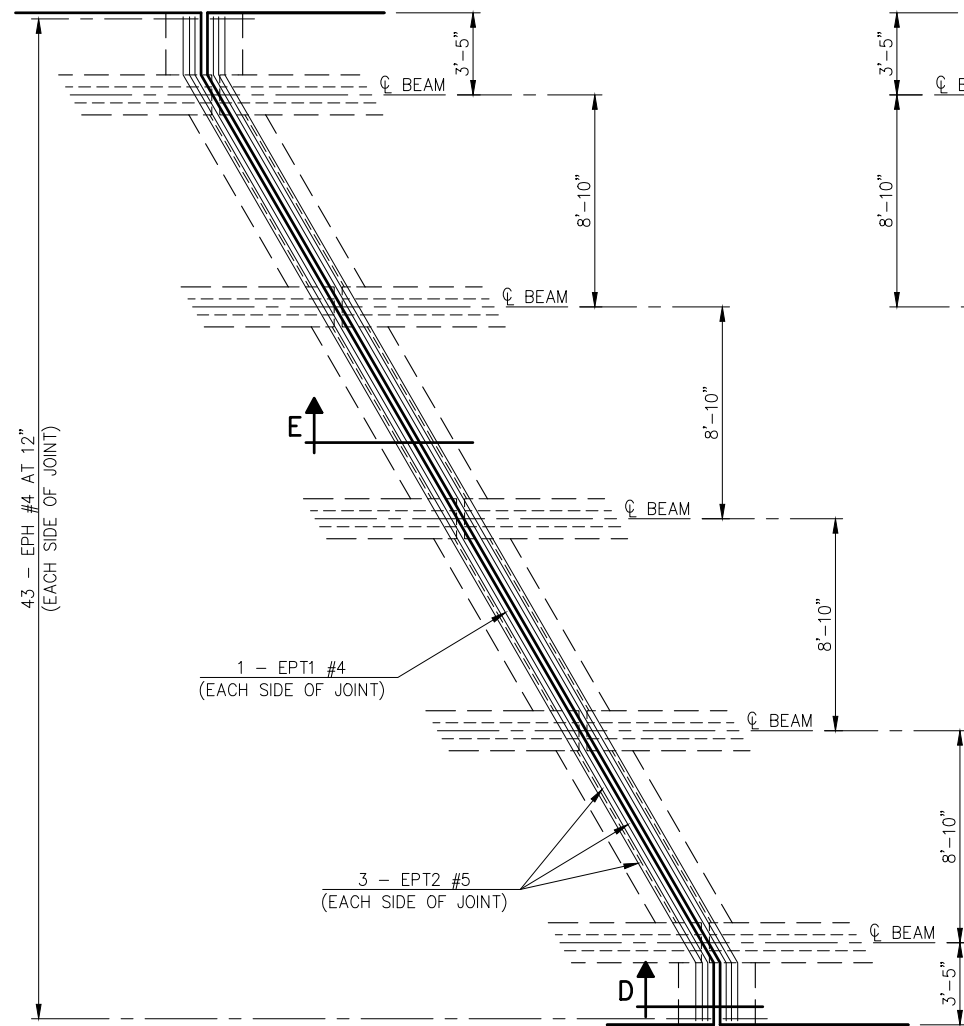


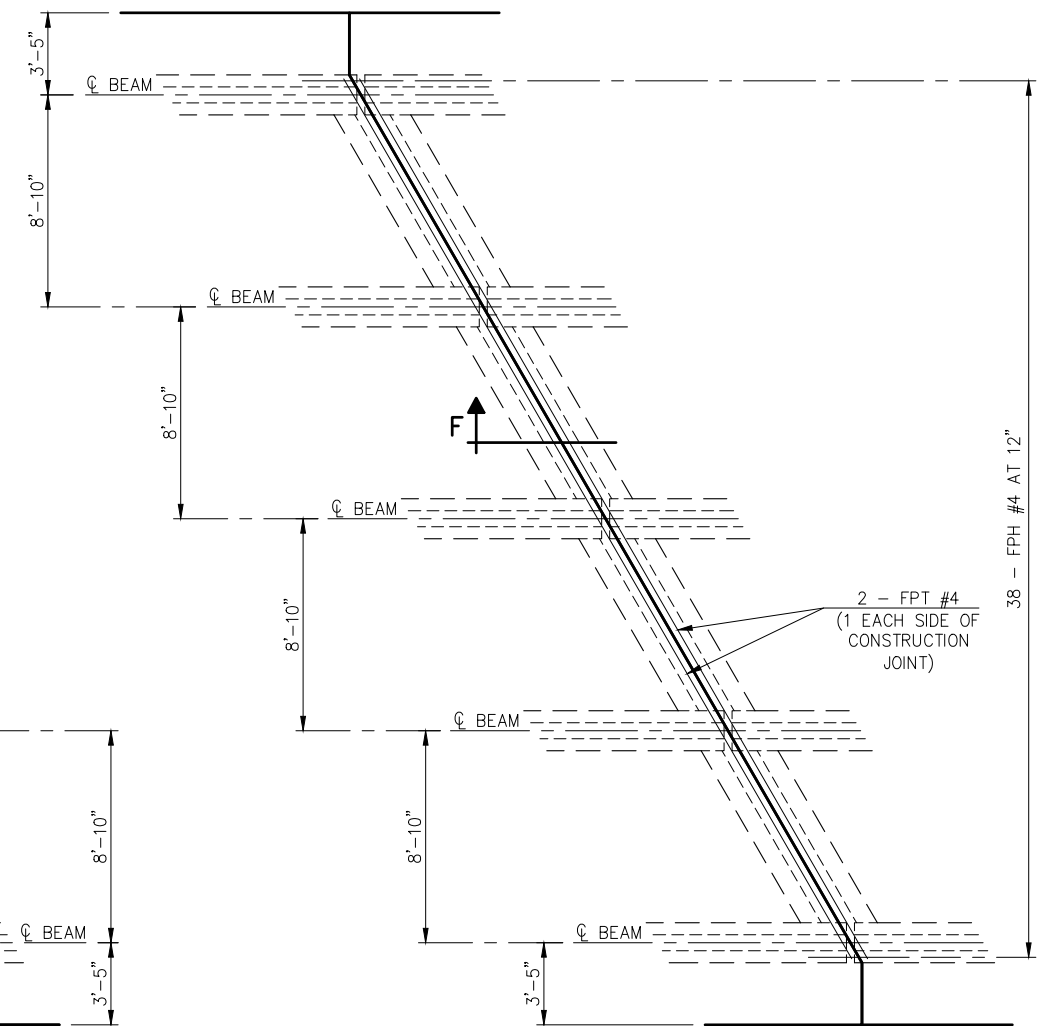
REVISIONS		
REV. NO.	DESCRIPTION	DATE



**ABUTMENT**  
(TYPICAL AT ABUTMENT NOS. 1 & 2)

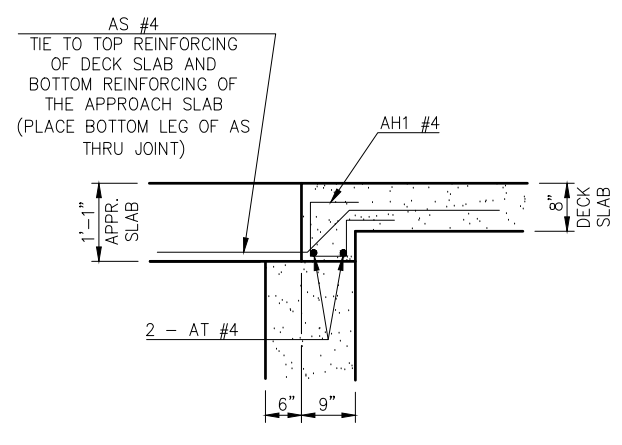


**EXPANSION PIER**  
(PIER NO. 1)

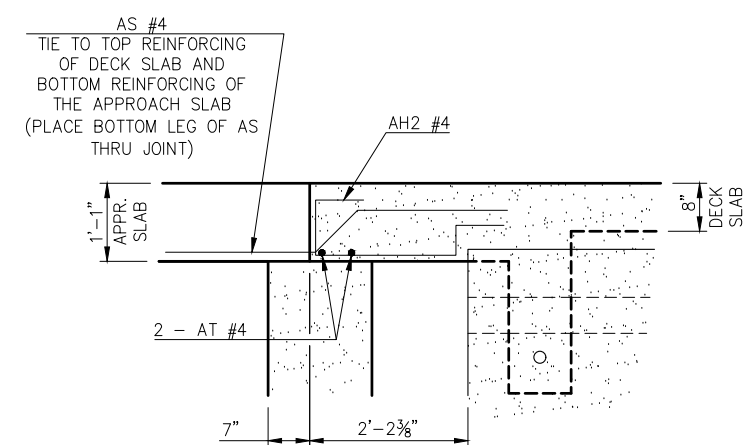


**CONTINUOUS EXPANSION PIER**  
(PIER NO. 2)

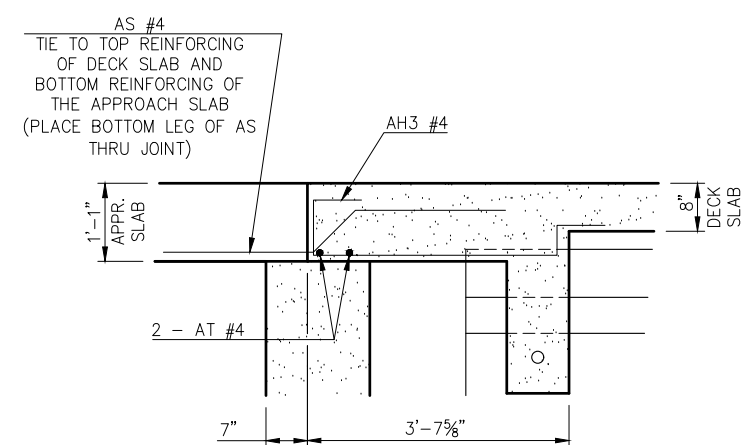
**ADDITIONAL SLAB REINFORCING AT DIAPHRAGM PLANS**



**SECTION A**  
(TYPICAL AT OVERHANGS)  
ADDITIONAL REINFORCING AT JOINT SHOWN. MAIN DECK SLAB AND APPROACH SLAB REINFORCING OMITTED FOR CLARITY.



**SECTION B**  
(TYPICAL AT BEAMS)  
ADDITIONAL REINFORCING AT JOINT SHOWN. MAIN DECK SLAB AND APPROACH SLAB REINFORCING OMITTED FOR CLARITY.



**SECTION C**  
(TYPICAL BETWEEN BEAMS)  
ADDITIONAL REINFORCING AT JOINT SHOWN. MAIN DECK SLAB AND APPROACH SLAB REINFORCING OMITTED FOR CLARITY.

NOTE:  
SEE "DETAILS OF SUPERSTRUCTURE (SHEET NO. 6 OF 7)"  
FOR SECTIONS D, E AND F.

DESIGN	MBS	5/14	SH-28 OVER SALT CREEK	NOWATA COUNTY
DETAIL	SLP	5/14	BRIDGE "A"	
CHECK	MBS	3/15		
GUY ENGINEERING SERVICES, INC.			STATE JOB PIECE NO. 28857(04)	SHEET NO. B022

Monday, July 31, 2017 4:17:44 PM V:\12-716E SH-28 Salt Creek JP. 28857\STRUCTURAL\DWG\Salt Creek - SUPERSTRUCTURE.dwg